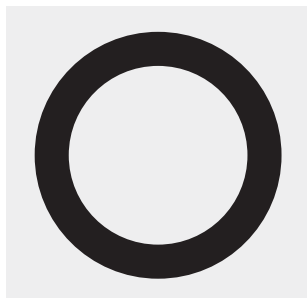


PRODUCT DATA SHEET

## SIMONA Peak Black Pipe (PE100)



Specification overview

- BS EN 12201-2
- DWI Reg 31 (4)(A)
- WRAS / UK Reg 4
- PE100 - Black

For transporting non-potable water & potable water in and above ground, industrial and general/waste applications.

OD	SDR	Pressure rating	Material
50 - 450mm	7.4	25 bar	PE100
20 - 630mm	9	20 bar	PE100
20 - 630mm	11	16 bar	PE100
25 - 630mm	13.6	12.5 bar	PE100
40 - 630mm	17	10 bar	PE100
50 - 630mm	21	8 bar	PE100
50 - 630mm	26	6 bar	PE100
315 - 630mm	33	5 bar	PE100
315 - 630mm	41	4 bar	PE100

### Lengths

Pipes ≤ 180mm in diameter will be supplied in coil lengths of 25, 50, 100, 150m or lengths of 6 or 12m

Pipes ≥ 200mm in diameter will be supplied in standard lengths of 6, 12 or 13.5m.

Bespoke lengths can be produced on request

### Markings

All products will be marked on one side with characters at least 3mm high in a contrasting colour to the pipe material <75mm in diameter

All products will be marked on one side with characters at least 5mm high in a contrasting colour to the pipe material >90mm in diameter

The following identification and traceability marks are printed once every metre:

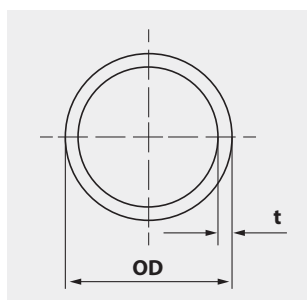
- Manufacturers identification: SIMONA Peak Pipe Systems
- Material designation: PE100
- Standard number: BS EN 12201-2
- SDR value: SDR11 (example)
- Outside diameter: 250mm (example)
- Manufacturing code: (Contains date)
- Application: Water
- Pressure rating: 16 bar (example)

PRODUCT DATA SHEET

## SIMONA Peak Black Pipe (PE100)

Suitable jointing methods

- Butt fusion
- Electrofusion Fittings
- Mechanical Fittings
- Compression Fittings
- Note: Maximum system pressure is only rated to the lowest performing component



Nom size (mm)	Max OD (mm)	SDR	Min t (mm)	Max t (mm)	Mean weight (kg/m)	Mean bore (mm)
50	50.4	7.4	6.9	7.7	0.9	35.6
63	63.4	7.4	8.6	9.6	1.5	45
75	75.5	7.4	10.3	11.5	2.1	53.5
90	90.6	7.4	12.3	13.7	3.0	64.3
110	110.7	7.4	15.1	16.8	4.5	78.4
125	125.8	7.4	17.1	19	5.8	89.2
140	140.9	7.4	19.2	21.3	7.3	99.9
160	161	7.4	21.9	24.2	9.5	114.3
180	181.1	7.4	24.6	27.2	12.1	128.8
200	201.2	7.4	27.4	30.3	14.9	142.8
225	226.4	7.4	30.8	34	18.9	160.9
250	251.5	7.4	34.2	37.8	23.3	178.8
280	281.7	7.4	38.3	42.3	29.2	200.3
315	316.9	7.4	43.1	47.6	37.0	225.2
355	357.2	7.4	48.5	53.5	46.9	254.1
400	402.4	7.4	54.7	60.3	59.5	286.2
450	452.7	7.4	61.5	67.8	75.3	322

PRODUCT DATA SHEET

## SIMONA Peak Black Pipe (PE100)

Nom size (mm)	Max OD (mm)	SDR	Min t (mm)	Max t (mm)	Mean weight (kg/m)	Mean bore (mm)
20	20.3	9	2.3	2.7	0.1	15.2
25	25.3	9	3	3.4	0.2	18.8
32	32.3	9	3.6	4.1	0.3	24.4
40	40.4	9	4.5	5.1	0.5	30.6
50	50.4	9	5.6	6.3	0.8	38.2
63	63.4	9	7.1	8	1.3	48
75	75.5	9	8.4	9.4	1.8	57.5
90	90.6	9	10.1	11.3	2.6	68.9
110	110.7	9	12.3	13.7	3.8	84.4
125	125.8	9	14	15.6	4.9	95.8
140	140.9	9	15.7	17.4	6.2	107.3
160	161	9	17.9	19.8	8	122.7
180	181.1	9	20.1	22.3	10.2	138.2
200	201.2	9	22.4	24.8	12.6	153.4
225	226.4	9	25.2	27.9	15.9	172.5
250	251.5	9	27.9	30.8	19.6	192
280	281.7	9	31.3	34.6	24.6	214.9
315	316.9	9	35.2	38.9	31.1	241.8
355	357.2	9	39.7	43.8	39.5	272.5
400	402.4	9	44.7	49.3	50.2	307.2
450	452.7	9	50.3	55.5	63.5	345.6
500	503	9	55.8	61.5	78.3	384.1
560	563.4	9	62.5	68.9	98.2	430.3
630	633.8	9	70.3	77.5	124.3	484.1
20	20.3	11	2	2.3	0.1	15.8
25	25.3	11	2.3	2.7	0.2	20.2
32	32.3	11	3	3.4	0.3	25.8

PRODUCT DATA SHEET

## SIMONA Peak Black Pipe (PE100)

Nom size (mm)	Max OD (mm)	SDR	Min t (mm)	Max t (mm)	Mean weight (kg/m)	Mean bore (mm)
40	40.4	11	3.7	4.2	0.4	32.2
50	50.4	11	4.6	5.2	0.7	40.4
63	63.4	11	5.8	6.5	1.1	50.8
75	75.5	11	6.8	7.6	1.5	60.9
90	90.6	11	8.2	9.2	2.1	72.9
110	110.7	11	10	11.1	3.2	89.2
125	125.8	11	11.4	12.7	4.1	101.2
140	140.9	11	12.7	14.1	5.1	113.7
160	161	11	14.6	16.2	6.7	129.7
180	181.1	11	16.4	18.2	8.5	146
200	201.2	11	18.2	20.2	10.5	162.2
225	226.4	11	20.5	22.7	13.3	182.5
250	251.5	11	22.7	25.1	16.3	203
280	281.7	11	25.4	28.1	20.5	227.3
315	316.9	11	28.6	31.6	25.9	255.8
355	357.2	11	32.2	35.6	32.9	288.3
400	402.4	11	36.3	40.1	41.8	324.8
450	452.7	11	40.9	45.1	52.9	365.4
500	503	11	45.4	50.1	65.3	405.9
560	563.4	11	50.8	56	81.8	454.9
630	633.8	11	57.2	63.1	103.6	511.5
25	25.3	13.6	2	2.3	0.1	20.8
32	32.3	13.6	2.4	2.8	0.2	27
40	40.4	13.6	3	3.5	0.4	33.6
50	50.4	13.6	3.7	4.2	0.6	42.2
63	63.4	13.6	4.7	5.3	0.9	53.2
75	75.5	13.6	5.6	6.3	1.2	63.3

PRODUCT DATA SHEET

## SIMONA Peak Black Pipe (PE100)

Nom size (mm)	Max OD (mm)	SDR	Min t (mm)	Max t (mm)	Mean weight (kg/m)	Mean bore (mm)
90	90.6	13.6	6.7	7.5	1.8	76.1
110	110.7	13.6	8.1	9.1	2.6	93.2
125	125.8	13.6	9.2	10.3	3.4	105.8
140	140.9	13.6	10.3	11.5	4.3	118.7
160	161	13.6	11.8	13.1	5.6	135.5
180	181.1	13.6	13.3	14.8	7	152.4
200	201.2	13.6	14.7	16.3	8.6	169.6
225	226.4	13.6	16.6	18.4	11	190.7
250	251.5	13.6	18.4	20.4	13.5	212
280	281.7	13.6	20.6	22.8	16.9	237.5
315	316.9	13.6	23.2	25.7	21.5	267
355	357.2	13.6	26.1	28.9	27.2	301.1
400	402.4	13.6	29.4	32.5	34.5	339.2
450	452.7	13.6	33.1	36.6	43.7	381.6
500	503	13.6	36.8	40.6	54	424.1
560	563.4	13.6	41.2	45.5	67.7	474.9
630	633.8	13.6	46.3	51.1	85.6	534.5
40	40.4	17	2.4	2.8	0.3	35
50	50.4	17	3	3.4	0.5	43.8
63	63.4	17	3.8	4.3	0.7	55
75	75.5	17	4.5	5.1	1	65.7
90	90.6	17	5.4	6.1	1.5	78.7
110	110.7	17	6.6	7.4	2.2	96.4
125	125.8	17	7.4	8.3	2.8	109.6
140	140.9	17	8.3	9.3	3.5	122.9
160	161	17	9.5	10.6	4.6	140.3

PRODUCT DATA SHEET

## SIMONA Peak Black Pipe (PE100)

Nom size (mm)	Max OD (mm)	SDR	Min t (mm)	Max t (mm)	Mean weight (kg/m)	Mean bore (mm)
180	181.1	17	10.7	11.9	5.8	158
200	201.2	17	11.9	13.2	7.1	175.4
225	226.4	17	13.4	14.9	9	197.3
250	251.5	17	14.8	16.4	11.1	219.6
280	281.7	17	16.6	18.4	13.9	245.9
315	316.9	17	18.7	20.7	17.6	276.6
355	357.2	17	21.1	23.4	22.4	311.5
400	402.4	17	23.7	26.2	28.3	351.2
450	452.7	17	26.7	29.5	35.8	395.2
500	503	17	29.7	32.8	44.3	438.9
560	563.4	17	33.2	36.7	55.5	491.7
630	633.8	17	37.4	41.3	70.3	553.1
50	50.4	21	2.4	2.8	0.4	45
63	63.4	21	3	3.4	0.6	56.8
75	75.5	21	3.6	4.1	0.8	67.5
90	90.6	21	4.3	4.9	1.2	81.1
110	110.7	21	5.3	6	1.8	99
125	125.8	21	6	6.7	2.3	112.6
140	140.9	21	6.7	7.5	2.9	126.3
160	161	21	7.7	8.6	3.7	144.1
180	181.1	21	8.6	9.6	4.7	162.4
200	201.2	21	9.6	10.7	5.8	180.2
225	226.4	21	10.8	12	7.4	202.9
250	251.5	21	11.9	13.2	9	225.6
280	281.7	21	13.4	14.9	11.4	252.5
315	316.9	21	15	16.6	14.3	284.4

PRODUCT DATA SHEET

## SIMONA Peak Black Pipe (PE100)

Nom size (mm)	Max OD (mm)	SDR	Min t (mm)	Max t (mm)	Mean weight (kg/m)	Mean bore (mm)
355	357.2	21	16.9	18.7	18.1	320.5
400	402.4	21	19.1	21.2	23.1	360.8
450	452.7	21	21.5	23.8	29.3	406
500	503	21	23.9	26.4	36.1	451.1
560	563.4	21	26.7	29.5	45.2	505.5
630	633.8	21	30	33.1	57.1	568.7
50	50.4	26	2	2.3	0.3	45.8
63	63.4	26	2.5	2.9	0.5	57.8
75	75.5	26	2.9	3.3	0.7	69.1
90	90.6	26	3.5	4	1	82.7
110	110.7	26	4.2	4.8	1.4	101.4
125	125.8	26	4.8	5.4	1.8	115.2
140	140.9	26	5.4	6.1	2.3	128.9
160	161	26	6.2	7	3.1	147.3
180	181.1	26	6.9	7.7	3.8	166
200	201.2	26	7.7	8.6	4.7	184.2
225	226.4	26	8.6	9.6	5.9	207.5
250	251.5	26	9.6	10.7	7.4	230.4
280	281.7	26	10.7	11.9	9.2	258.3
315	316.9	26	12.1	13.5	11.7	290.4
355	357.2	26	13.6	15.1	14.8	327.3
400	402.4	26	15.3	17	18.7	368.8
450	452.7	26	17.2	19.1	23.7	415
500	503	26	19.1	21.2	29.2	461.1
560	563.4	26	21.4	23.7	36.6	516.5
630	633.8	26	24.1	26.7	46.4	581.1

PRODUCT DATA SHEET

## SIMONA Peak Black Pipe (PE100)

Nom size (mm)	Max OD (mm)	SDR	Min t (mm)	Max t (mm)	Mean weight (kg/m)	Mean bore (mm)
315	316.9	33	9.7	10.8	9.4	295.4
355	357.2	33	10.9	12.1	11.9	333.1
400	402.4	33	12.3	13.7	15.2	375.2
450	452.7	33	13.8	15.3	19.2	422.2
500	503	33	15.3	17	23.6	469.1
560	563.4	33	17.2	19.1	29.7	525.3
630	633.8	33	19.3	21.4	37.5	591.1
315	316.9	41	7.7	8.6	7.6	299.6
355	357.2	41	8.7	9.7	9.6	337.7
400	402.4	41	9.8	10.9	12.2	380.4
450	452.7	41	11	12.2	15.4	428.2
500	503	41	12.3	13.7	19.1	475.5
560	563.4	41	13.7	15.2	23.8	532.7
630	633.8	41	15.4	17.1	30.2	599.3